



T æ[• &] ^ Á ..cæ|| * !æ @ã ~ ^
MAT 200





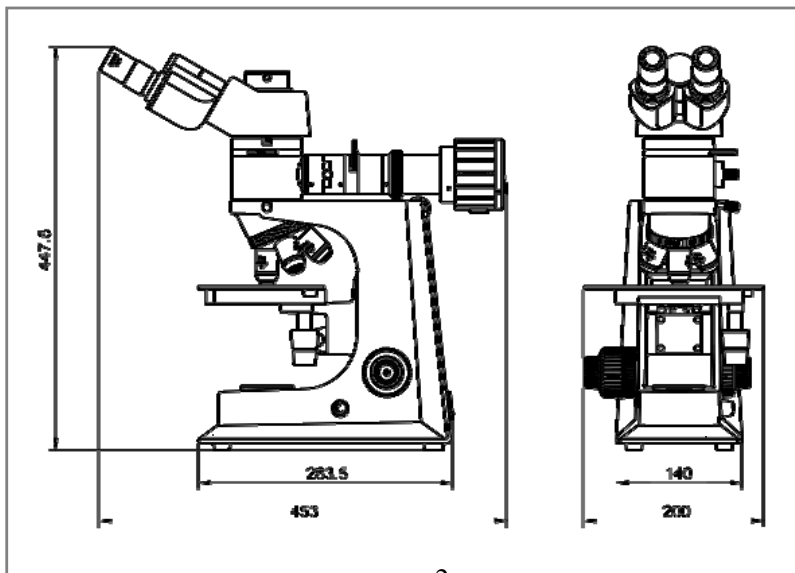
L.W.D Metallurgical Objective



200mmX140mm Stage



MIT200 Metallurgical Microscope Size (mm)



MAT 200

Metallurgical Microscope Outfits

Items		
Eyepiece	WF10×-18mm	●
	Reticule Eyepiece WF 10×-18 mm (0.1mm)	●
	WF5×	○
	WF12.5×	○
	WF16×	○
Infinity Plan Objective (no cover glass)	5×/0.11 W.D=12.10mm	●
	10×/0.25 W.D=4.75mm	●
	20×/ 0.4 (S) W.D=2.14mm	○
	40×/0.65 (S) W.D=0.45mm	○
Long Working Distance Infinity Plan Objective (no cover glass)	20×/0.4 (S) W.D=8.35mm	●
	40×/0.65 (S) W.D=3.90mm	○
	50×/0.7(S) W.D=1.95mm	●
	80×/0.8 (S) W.D=0.85mm	○
Seidentopf Binocular Head	Inclined 30°,Rotatable 360°, Interpupillary Distance: 50 -75mm	●
Seidentopf Trinocular Head	Inclined 30°,Rotatable 360°, Interpupillary Distance: 50 -75mm Light Distribution: 80:20	○
Nosepiece	Quadplex	●
Mechanical Stage	Stage Size: 200×140mm, Travel : 76mm×52mm Coaxial Coarse and Fine Focusing Knobs	●
Reflection Illumination	6V/20W Halogen Lamp	
	6V/30W Halogen Lamp	●
Filter	Five-hole filter unit(blue, green, amber, grey, empty)	●
Polarizing Attachment	Analyzer/ Polarizer	○
C-mount	1×	○
	0.47× (Focus Adjustable)	○
	0.5X (Focus Adjustable)	

Note: "●" In Table Is Standard outfits, "○" Is Optional Accessories.

MIT200 Packing Size: 570mm×275mm×450mm Gross Weight: 10.5 kgs Net Weight: 8 kgs